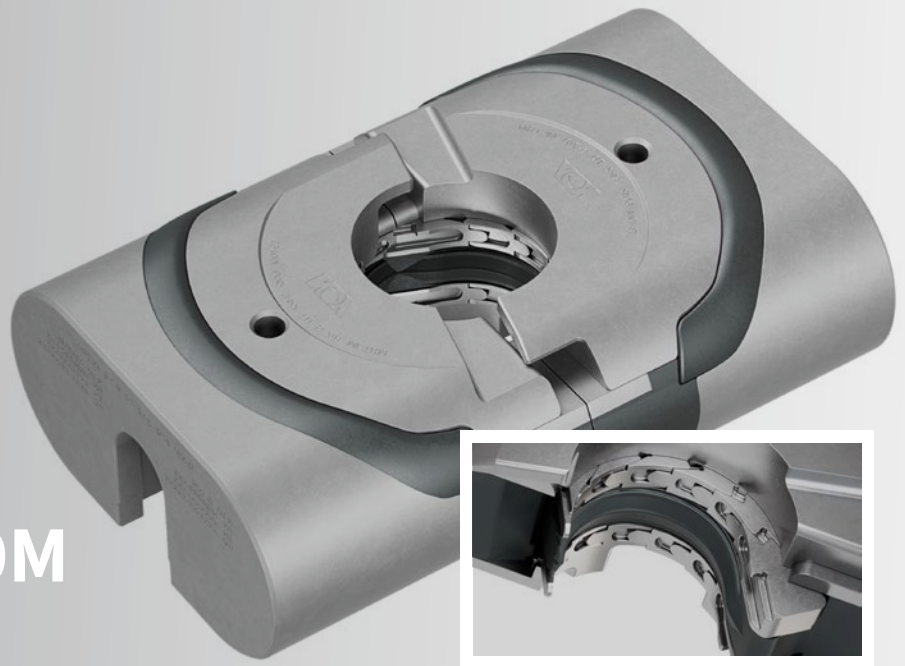


Rig Technologies

Critical Service Multiram

for the 13-3/5/10M 6012 Series BOP



Reliability. Repeatability. Results.

NOV's critical service multiram is designed for high-H₂S applications and incorporates advanced packer technology and geometry for extended service life. With the durability of a fixed bore pipe ram across all ranges of engagement, this newly designed block profile is fully retrofittable to existing 6012 BOPs.

Also known in the industry as a variable bore ram (VBR), the NOV Multiram delivers the flexibility operators need without compromising sealing performance in critical service environments.

Engineered to perform in the most demanding high-pressure drilling environments, the NOV Multiram for the 13-3/5/10M Series Blowout Preventer delivers consistent and confident sealing performance you can trust.

Covering a versatile operating range of 3-1/2 in. to 5-7/8 in., this advanced ram features a proprietary HNBR elastomer, offering greater chemical resistance and performance in demanding environments.

Performance you can count on.

Key Features and Benefits

- Exceeds all API 16A PR2 requirements at 10,000 psi
- Critical service performance: Designed for applications with 20% H₂S and 10% CO₂
- Exceptional temperature performance: Operates reliably across 30°F, 240°F, and 300°F (API temp rating E,D,E)
- Plug-and-play retrofits: Simple installation and seamless changeouts reduce downtime and maintenance complexity
- Broad operating range: Delivers multiram flexibility with fixed-bore-style durability throughout the full range of engagement

Whether you're retrofitting existing systems or enhancing your current setup, the NOV Multiram delivers flexibility, safety, and performance today's operators demand.



ra-am@nov.com

nov.com/pressure

© 2026 NOV. All rights reserved. 26-103851